

11 TIMBER & TIN WINDOW HOODS

The current version of this document is on the internet. Printed version & prices may be superseded. All material subject to copyright.



how to install a window hood and privacy screen video



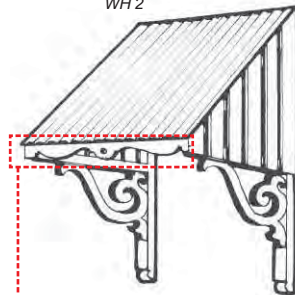
Woodworkers' Standard Paling Skillion
Overhang 565 mm
Height 1300 mm
WH 1



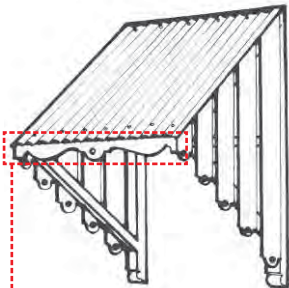
Woodworkers' Diagonal Skillion
Overhang 565 mm
Height 1300 mm
WH 2



Woodworkers' Lattice Skillion
Overhang 565 mm
Height 1300 mm
WH 3



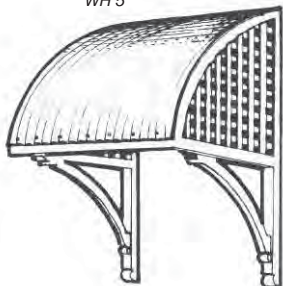
Woodworkers' Sweep Skillion
Shown with fretwork fascia option at additional cost
Overhang 565 mm
Height 1300 mm
WH 4



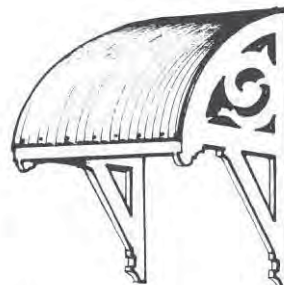
Woodworkers' Florentine Paling
Shown with fretwork fascia option at additional cost
Overhang 565 mm
Height 1300 mm
WH 5



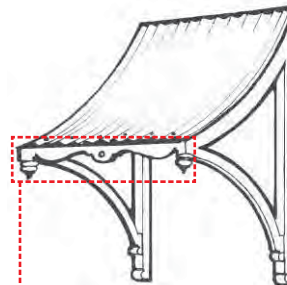
Woodworkers' Fretwork Paling Skillion
Overhang 565 mm
Height 1300 mm
WH 6



Woodworkers' Bullnose Lattice
Overhang 565 mm
Height 1300 mm
WH 7



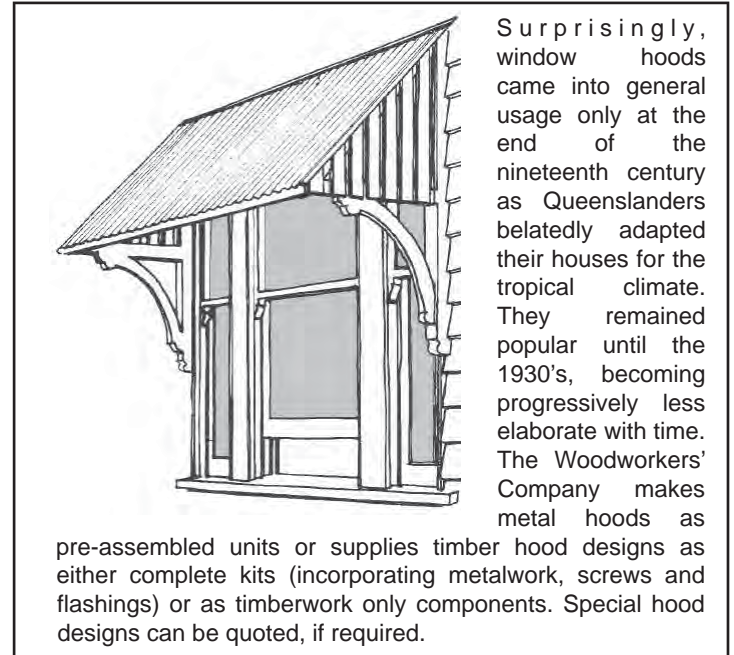
Woodworkers' Fretwork Bullnose
Overhang 460 mm
Height 920 mm
WH 8



Woodworkers' Scallop
Shown with fretwork fascia and finials option at additional cost
Overhang 565 mm
Height 1300 mm
WH 9



Woodworkers' Sunrise Skillion
Overhang 565 mm
Height 1300 mm
WH 10



Surprisingly, window hoods came into general usage only at the end of the nineteenth century as Queenslanders belatedly adapted their houses for the tropical climate. They remained popular until the 1930's, becoming progressively less elaborate with time. The Woodworkers' Company makes metal hoods as

pre-assembled units or supplies timber hood designs as either complete kits (incorporating metalwork, screws and flashings) or as timberwork only components. Special hood designs can be quoted, if required.

TIMBER & TIN HOOD PRICE LIST (inc GST)

Width	Stock WH1		Custom WH1 & 2		WH 3,4 5 & 6		WH7 & 9		WH 8 & 10		Extra for fretwork fascia	
	timber work only	complete kit	timber work only	complete kit	timber work only	complete kit	timber work only	complete kit zinalume	timber work only	complete kit zinalume		
up to 1500mm	\$384	\$549	\$455	\$620	\$482	\$647	\$491	\$812	\$557	\$878	\$829	\$162
1501 - 2000mm	\$413	\$630	\$483	\$700	\$511	\$728	\$520	\$992	\$586	\$1058	\$842	\$181
2001 - 3000mm	\$465	\$734	\$535	\$805	\$563	\$832	\$571	\$1188	\$637	\$1254	\$965	\$270
3001 - 3500mm	\$491	\$803	\$561	\$874	\$589	\$901	\$598	\$1339	\$664	\$1405	\$1044	\$289
3501 - 4500mm	\$543	\$908	\$613	\$978	\$641	\$1006	\$649	\$1535	\$715	\$1601	\$1169	\$326

sides only price	
wh1	\$310
wh2	\$380
wh3	\$407
wh4	\$407
wh5	\$407
wh6	\$407
wh7	\$416
wh8	\$482
wh9	\$416
wh10	\$482

- Kit hoods are supplied unassembled.
- Preprimed white stock WH1 sides 20% extra subject to availability.
- Timberwork only option includes prefabricated sides and cross purlins only.
- Kit includes all timberwork, galvanized sheeting, flashing, gable roll & roof screws (WH7, WH8 & WH9 not available in galvanized)
- Zinalume 10% extra, Colorbond or mini orb 20% extra.
- Bullnose designs do not include gable roll.
- Custom made timber hoods P.O.A.



the best value hoods you'll find!

Website: www.woodworkers.com.au

Email: sales@woodworkers.com.au

BRISBANE
1095 Ipswich Rd
Moorooka 4105
☎ 07 3848 1383
☎ 07 3892 1476

GOLD COAST
Warehouse Road
Southport 4215
☎ 07 5571 0088
☎ 07 5571 0617

SUNCOAST
53 Wisers Road
Maroochydore
☎ 07 5479 0999
☎ 07 5479 0911

SYDNEY
2 Sydenham Rd
Brookvale 2100
☎ 02 9938 4999
☎ 02 9938 4666

WINDOW HOODS FREQUENTLY ASKED QU

The current version of this document is on the internet. Printed version & prices may be superseded. All material subject to copyright.

TIMBER & IRON HOODS

WHAT IS THE CONSTRUCTION OF TIMBER & IRON HOODS?

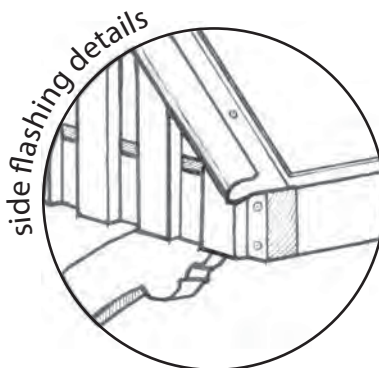
All Woodworkers hoods are made of externally durable hardwoods (not pine) and often premium timbers e.g. red cedar, kwila are used to recycle smaller off-cuts from our joinery workshop. Timber hoods are supplied as raw timber in kit form for site assembly by others as they are generally too heavy and bulky for workshop fabrication. Window hood kits are supplied as either timberwork only (excluding all metalwork) or as complete kits including flashings, iron roofing and roof fixing screws. A choice of standard galvanised steel, zincalume or colorbond is available in either standard profile or mini orb, although significant cost surcharges and lead times may apply to mini orb options. All fixings used in window hoods are coated to resist corrosion.

HOW ARE TIMBER HOODS INSTALLED?

Timber hoods are generally constructed on site in the same sequence as you would use to build a roof. Because timber hoods are relatively heavy and bulky it is usually preferable to construct them in position rather than prefabricate them on the ground and have to manipulate them over scaffold into position. The two sides are usually positioned either side of the joinery to enable solid fixing (batten screws) into the stud framing around the joinery. The purlins can then be accurately cut to fit the sides and batten screwed into position to create a sturdy frame for installation of the metalwork. It is preferable if all timberwork is fully primed or finished before installation as it is safer and simpler to do this work at ground level. The size of the purlins needs to comply with the Australian Standard AS1684.2 – 2006 for the wind classification applicable to the locality using F17 unseasoned hardwood (Supplement 15).

The following table is provided as a guide but should be checked by your engineer particularly in heavy exposed or cyclonic areas.

Size (H x W)	Max span
75 x 38	1600mm
75 x 50	1900mm
100 x 38	2500mm
100 x 50	2900mm
125 x 38	3600mm
125 x 50	3900mm
150 x 38	4300mm
150 x 50	4500mm



The metal work is fixed to the timber structure in accordance with the same code requirements used for the roof, usually requiring nylon washered hex head roof screws. Woodworkers do not arrange installations of hoods but can recommend a BSA registered builder to undertake the work directly contracting with you if required.

CAN WOODWORKERS MAKE SPECIAL DESIGN TIMBER WINDOW HOODS?

Yes. If matching of existing hoods is required we will need photographs and a template to follow, or one side of an existing hood. We do not undertake site measurement of hoods. If you want to design your own hoods, we can work from detailed drawings provided by you.

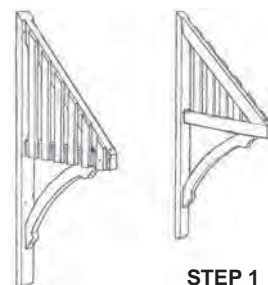
DO TIMBER HOODS COME WITH DECORATIVE FASCIAS?

No. Even if the design shown overleaf shows a decorative fascia e.g. WH4 & 9, the kit price does not include this feature. A separate price column is included for fascias in the price list and any design can include this if requested at the time of ordering.

DOES WOODWORKERS CARRY STOCKS OF ALL WINDOW HOODS?

No. All metal hoods are custom made and only the WH1 Standard Paling Skillion design is generally held in stock for immediate supply. All other hoods usually require a lead time of 3 to 4 weeks, which can be extended in peak periods

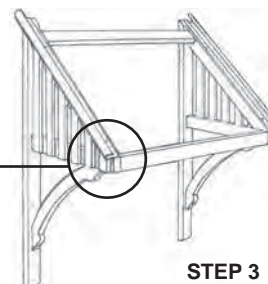
INSTALLATION



STEP 1



STEP 2



STEP 3



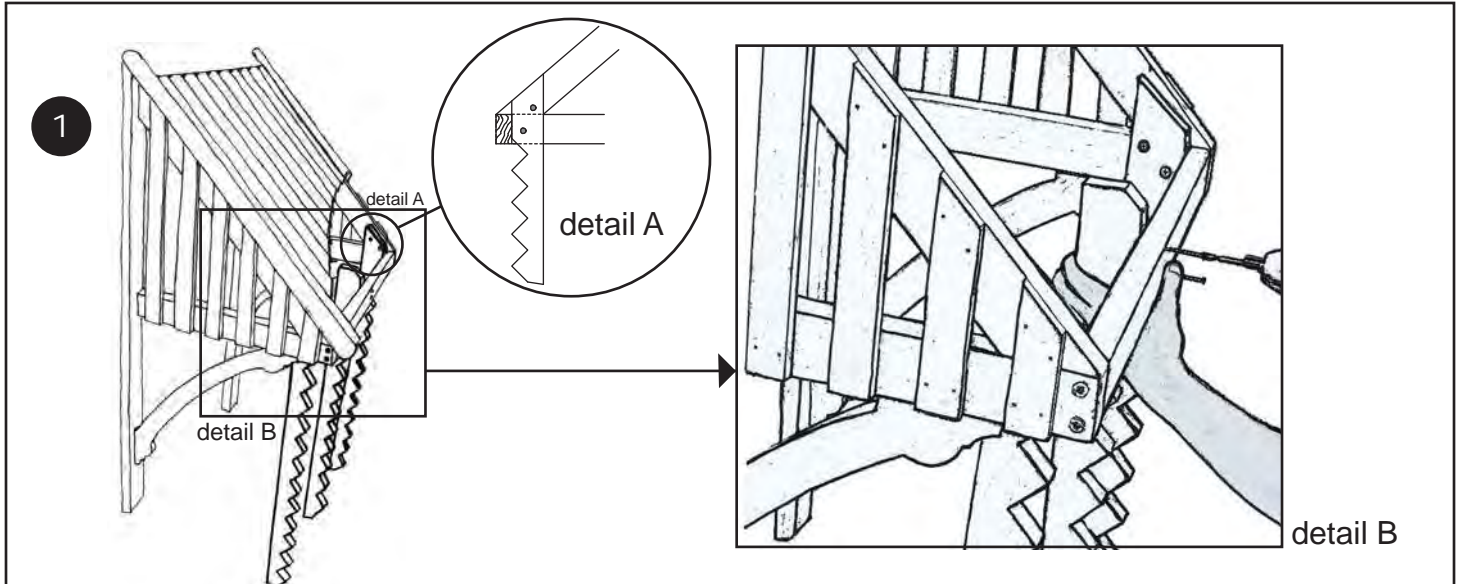
STEP 4



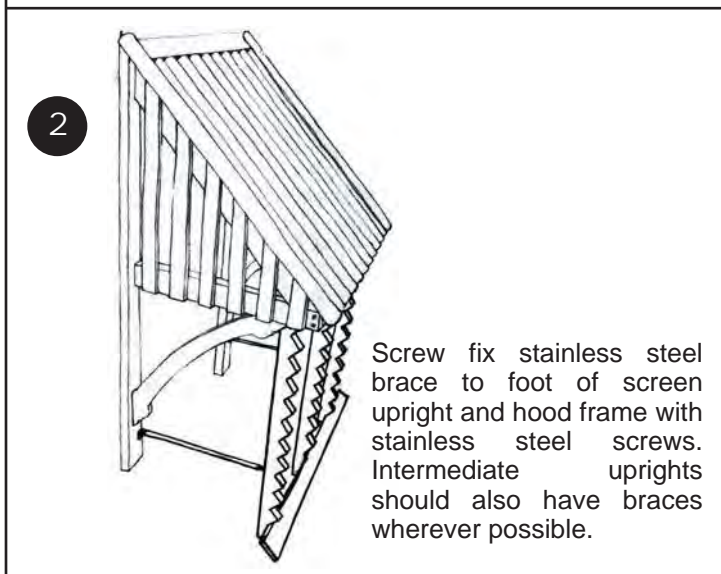
STEP 5

INSTRUCTIONS FOR INSTALLATION OF PRIVACY SCREENS

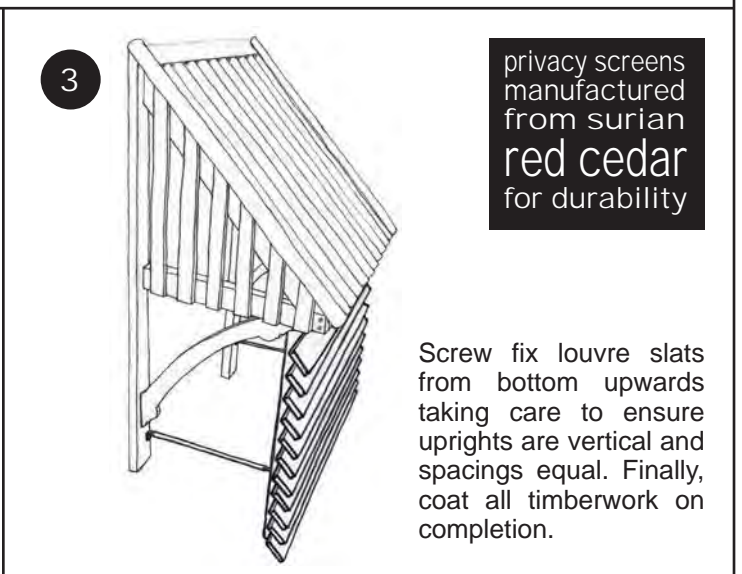
Paint prime all timberwork before assembling screen.



Privacy screens are supplied as kits for DIY assembly and installation on site. Screw uprights to inside of window hood framework as per detail A. Where span of louvre blade exceeds 1 meter, one or more central uprights will be required to be screwed to inside of purlin as per detail B.

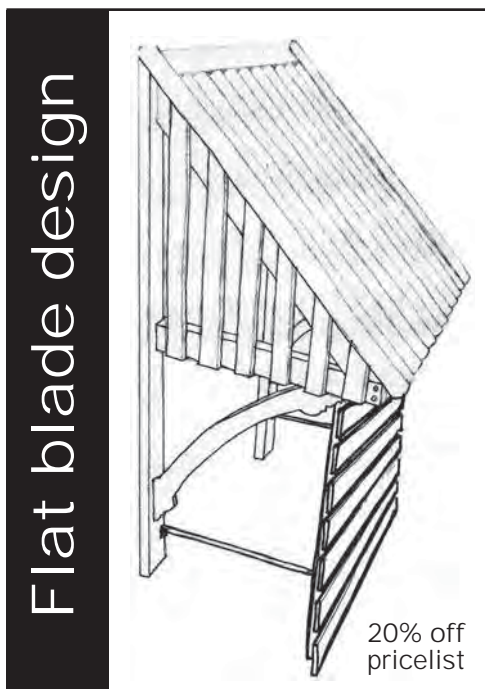


Screw fix stainless steel brace to foot of screen upright and hood frame with stainless steel screws. Intermediate uprights should also have braces wherever possible.



privacy screens manufactured from surian red cedar for durability

Screw fix louvre slats from bottom upwards taking care to ensure uprights are vertical and spacings equal. Finally, coat all timberwork on completion.



Louvre privacy screen pricelist

supplied as DIY kits

height	width →				with centre support							
	700	800	900	1000	1100	1200	1300	1400	1500	1600	1700	1800
800	\$391	\$396	\$433	\$453	\$520	\$539	\$561	\$583	\$602	\$623	\$638	\$660
900	\$403	\$420	\$443	\$460	\$532	\$552	\$572	\$591	\$611	\$632	\$652	\$670
1000	\$411	\$433	\$453	\$471	\$539	\$561	\$583	\$602	\$623	\$638	\$660	\$681
1100	\$421	\$444	\$460	\$481	\$552	\$572	\$591	\$611	\$632	\$652	\$670	\$689
1200	\$433	\$453	\$471	\$492	\$561	\$583	\$602	\$623	\$638	\$660	\$681	\$698
1300	\$443	\$462	\$481	\$503	\$572	\$591	\$611	\$632	\$652	\$670	\$689	\$709
1400	\$454	\$471	\$492	\$512	\$583	\$602	\$623	\$638	\$660	\$682	\$698	\$721
1500	\$462	\$481	\$503	\$520	\$591	\$611	\$632	\$652	\$670	\$689	\$709	\$729

HOOD + SCREEN COMBO BUYS **5% OFF**
total combined price of hoods & screens when purchased together

ALL PRICES INCLUDE **GST**

THE **WOODWORKERS COMPANY**